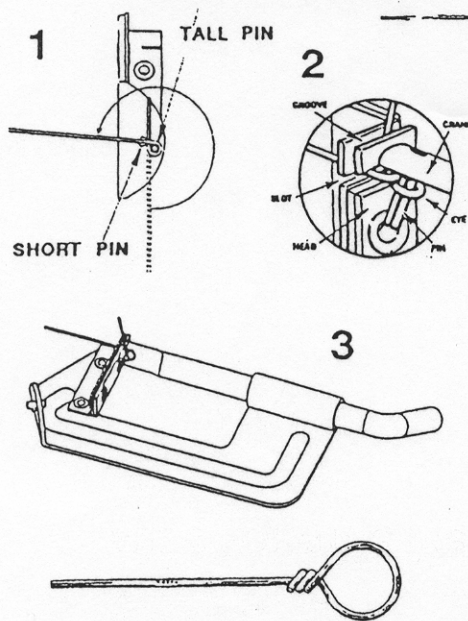
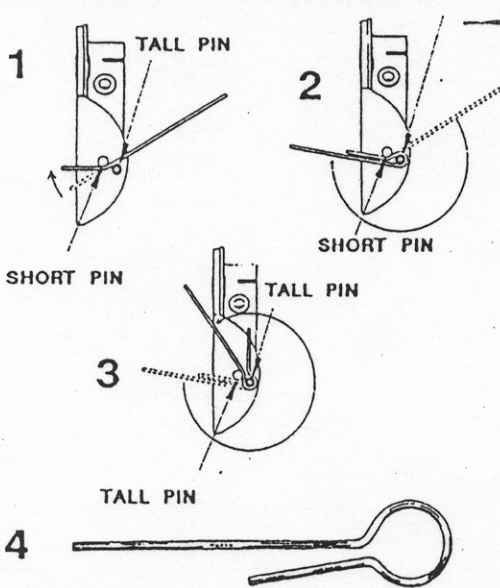


WIRE FORMING INSTRUCTIONS



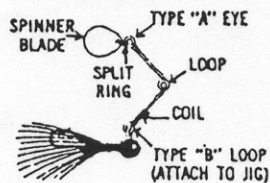
TYPE "A" EYE

1. Place wire shaft between pins with short end pointed up. Bend long end around tall pin in counterclockwise direction about 3/4 of a revolution (270 degrees) to form eye.
2. Remove wire shaft. Place eye of shaft over pin on crank with short end up and long end through slot in head. Turn crank clockwise slowly so that short end of shaft slides into groove on head.
3. With short end engaged in groove, push crank toward head and turn clockwise at the same time. Continue turning crank until short end of wire is completely wrapped around shaft. You will hear a "click" when this occurs.



TYPE "B" LOOP

1. Place wire shaft between pins with short end pointed to the left. Bend short end away from you to form 30 degree angle. Leave at least 5/8" between short end and pin.
2. Bend long end around tall pin in clockwise manner until it stops at short pin. Wire will spring back slightly.
3. Leave wire loop around tall pin and swing back to right until long end hits short pin. Apply pressure to place kink in long end.
4. Finished loop should look like illustration #4. To close this type of loop use a coil spring fastener.



EXAMPLE OF WIRE FORMS ON JIG SPINNER